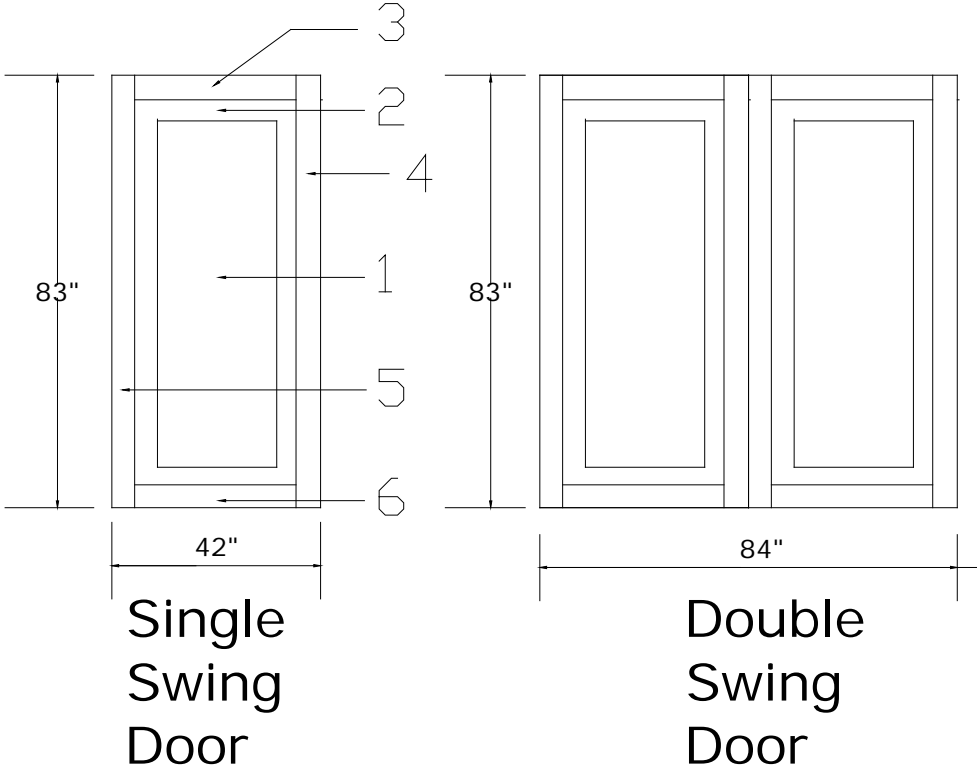


**Guidelines for Determining U-factor Through Area-Weighted Calculations**

- \* Obtain 'center of glazing' U-factor from glazing manufacturer. For each door model, the door manufacturer should compile a table of these U-factors for glazing options commonly used.
- \* Determine 'edge of glazing' U-factors. These U-factors could be obtained with the assistance of a company that performs NFRC 100 based simulations using WINDOWS software.
- \* Determine top frame, side frame and bottom frame U-factors. Thermal breaks should be accounted for. These U-factors could be obtained with the assistance of a company that performs NFRC 100 based simulations using WINDOWS software.
- \* Verify needed dimensions. Dimensions shown in the diagrams are examples.
- \* Thresholds, surrounding wall components, and weather stripping should not be included in U-factor calculations.
- \* Multiply each individual area by its corresponding U-factor, add together all individual (area x U-factor) numbers, then divide by the gross product area to obtain the area-weighted U-factor.
- \* Consider validating calculations with tested values in accordance with either NFRC 102 using a 7' x 7' sample or ANSI/DASMA 105 using a 10' x 10' sample.

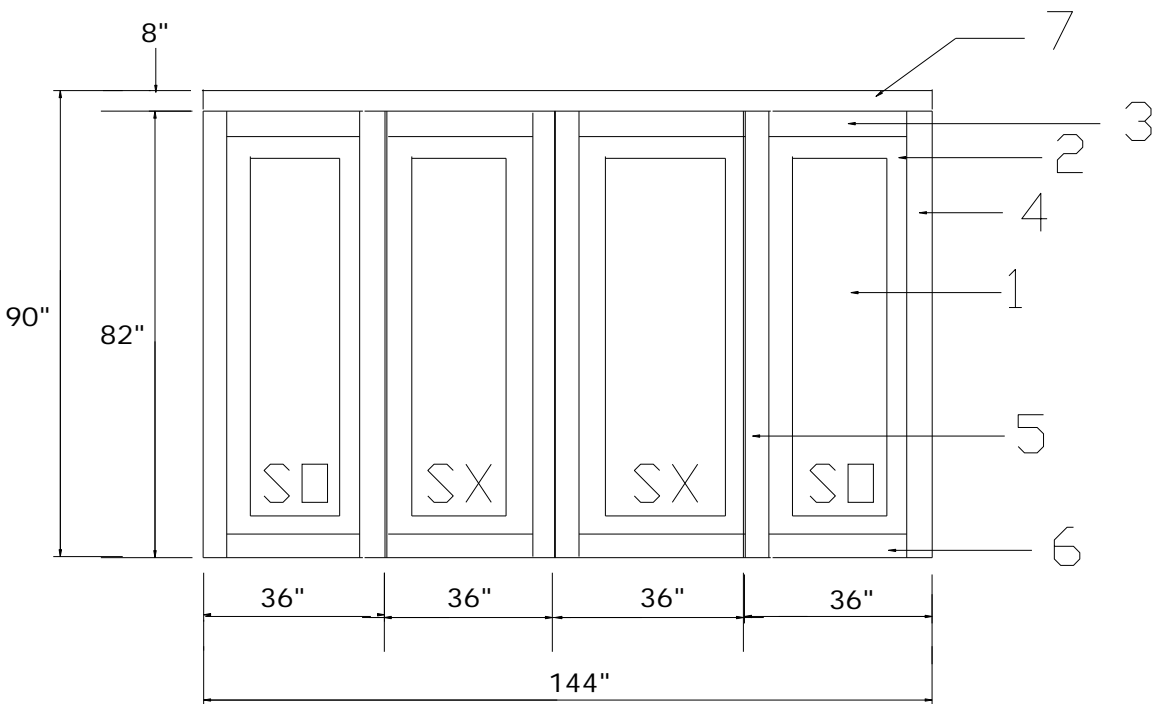
### Diagrams for Use in Area-Weighted U-factor Calculations for Automatic Doors



- Notations**
- 1. Center of glazing
  - 2. Edge of glazing, 2.5" width
  - 3. Top frame
  - 4. Left side frame
  - 5. Right side frame
  - 6. Bottom frame

For double swing door, use area notations for each door leaf.

## TECHNICAL BULLETIN 106



**Notations**

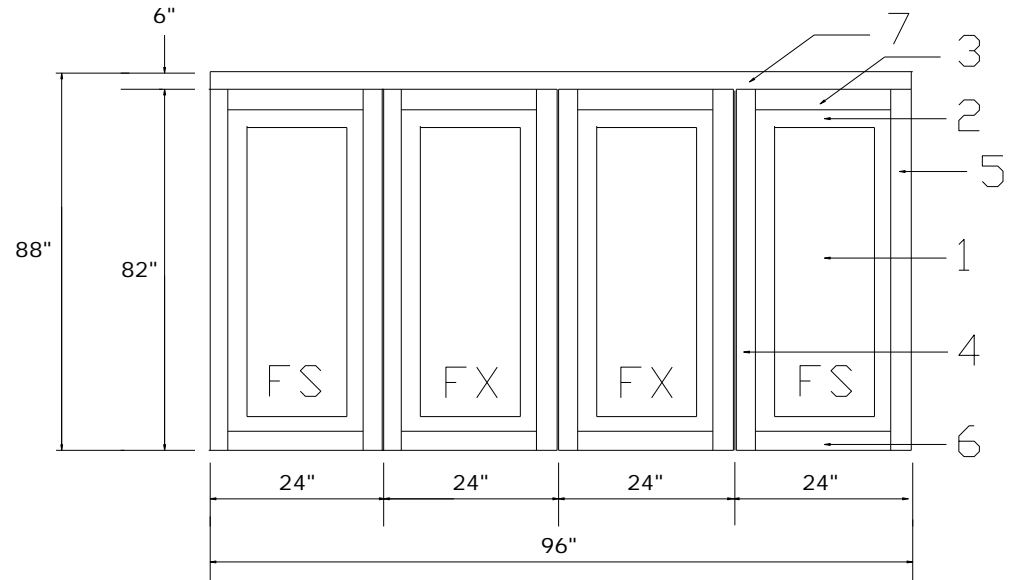
- 1. Center of glazing
- 2. Edge of glazing, 2.5" width
- 3. Top frame
- 4. Left side frame
- 5. Right side frame
- 6. Bottom frame
- 7. Header

SO: Fixed Panel  
SX: Sliding Panel

Use area notations 1-6 shown,  
for each fixed panel and sliding  
panel

Sliding Door

## TECHNICAL BULLETIN 106



Folding Door

**Notations**

- 1. Center of glazing
- 2. Edge of glazing, 2.5" width
- 3. Top frame
- 4. Left side frame
- 5. Right side frame
- 6. Bottom frame
- 7. Header

FS: Leading Panel  
FX: Trailing Panel

Use area notations 1-6 shown,  
for each panel.

